

PERGO®

ACCESSORIES
Medium Skirting
English

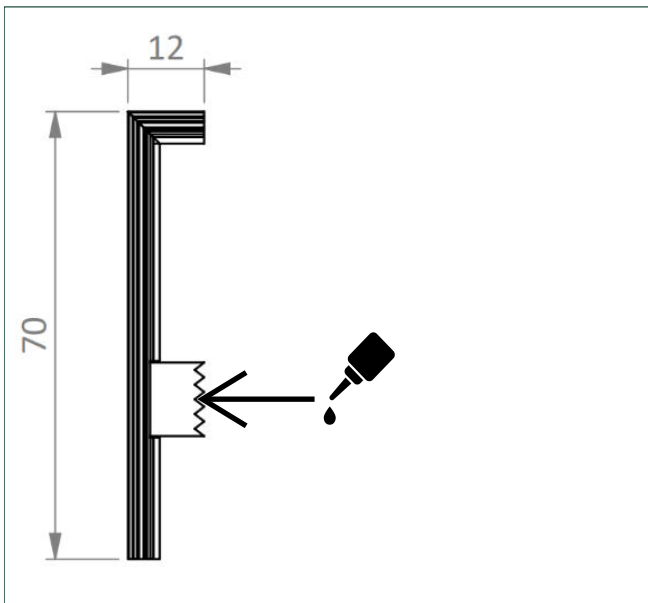


Medium Skirting



General information

From floor to finish! Medium skirtings that are made from the same plank and tiles as your floor. Same colour, same texture and same performance. On top of that, they are easy to install with the Uniclic system to make installing smoother and the finish seamless.



CONTENTS

6/16 x skirting

COMPOSITION

Pergo floorplanks & tiles

COLOUR

Colour

Packaging

Cardboard wrap

-

Medium Skirting

ORDER CODE**DIMENSIONS**

PGVFCPSK(-)

floorlength x 12 x 70 mm

Applicable for:

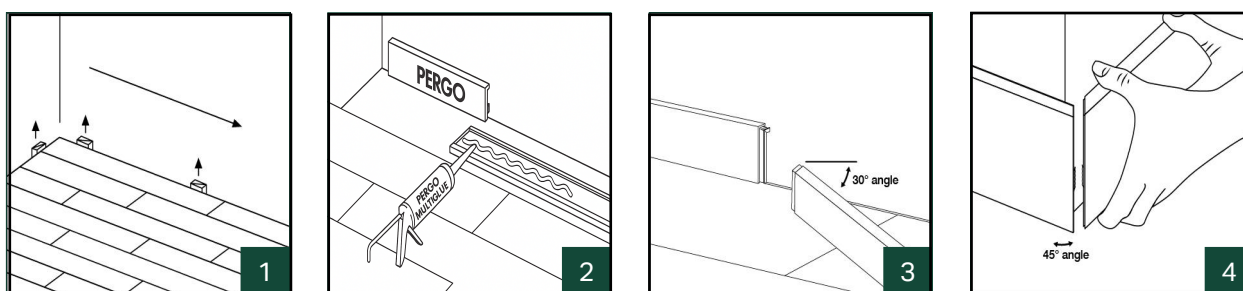
All Pergo Vinyl floors.

The floor must be able to expand and contract on all sides. This is why an expansion gap must be provided on all sides of the floor, around pipes, thresholds and under door frames. The exact expansion gap size depends on the floor type. Consult the installation instructions of your Pergo floor to know the required size of the expansion gap. To finish of this gap, we offer a wide range of skirting and profiles.

Medium Skirting

Installation

The skirting can be installed in the following way



1. Remove the Spacers.

Important side-note:

If you start in the left corner, you need to make a miter cut on the left side of the "startskirting", otherwise you are not able to finish properly.

2. Apply a cord of Moduleo Unigluue evenly onto the back part of the skirting that will be in contact with the wall.
3. Click the skirting board into the already installed skirting boards and rotate it against the wall. Press the skirting board firmly against the wall so the glue can adhere properly.
4. When you reach a corner, cut the skirting to the correct length and with the correct angle. Use a miter saw to create a perfect fit and use 5 second glue to fix the skirting boards into place.

Tip: For corners and more difficult parts of the installation, we advise you to do a dry-fit first.

Unilin bv division flooring
 Ooigemstraat 3, B-8710 Wielsbeke
 T: +32 56 67 52 11
 unilin.com
 pergo.com

UNILIN

PERGO®